



Die Luftreiniger

Vac-Series



2023



High vacuum extraction and filter units



Index

VacCube 16	Page 4
VacCube 22	Page 4
VacCube 30	Page 4
VacCube 55 NF	Page 6
VacCube 55 HF	Page 8
VacCube 75 HF	Page 8
VacCube 30 i	Page 10
VacCube 55 NFi	Page 11
VacCube 55 HFi	Page 12
VacCube 75 HFi	Page 12
VacCube 125 i	Page 14
VacCube 185 i	Page 16
Vac-Cyclone	Page 18
Vac-Mini-Cyclone	Page 18



VacCube 16 | 22 | 30

These are suction systems with side channel blowers. They are particularly suitable for torch extraction of fumes at welding workplaces.

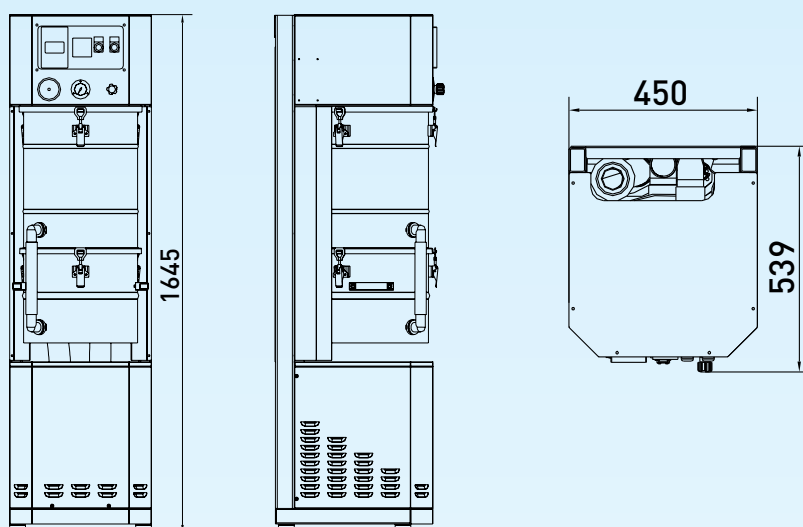
They feature a cartridge filter, cleaned by time-controlled pneumatic rotary nozzles. The dust is taken in and conveyed to a nylon bag which is very easy to remove and provides a very simple way of collecting the dust.

The machine features a device for a real-time check of the cartridge efficiency.

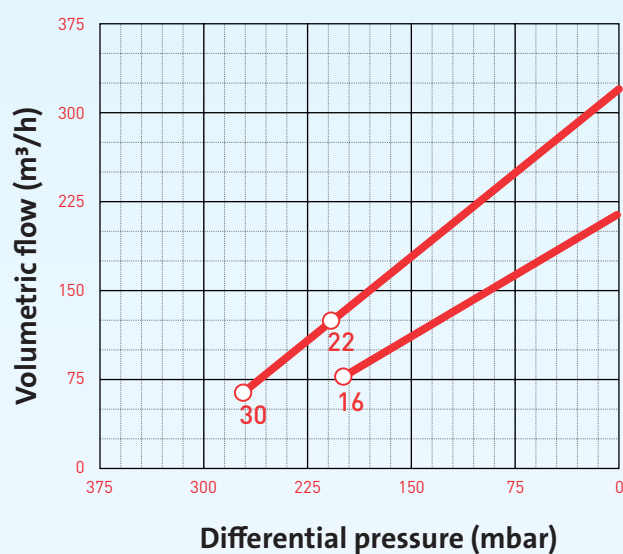
- **VacCube 16: 1 workplace**
- **VacCube 22 | 30: 2 workplaces**



Technical drawings



Performance data



	VacCube 16	VacCube 22	VacCube 30F
Performance	1,6 kW	2,2 kW	3,0 kW
Current consumption	4,3 A	5,8 A	7,2 A
Voltage	400V/50Hz	400V/50Hz	400V/50Hz
Max. volumetric flow	210 m³/h	320 m³/h	320 m³/h
Max. pressure	20.000 PA	21.000 PA	27.000 PA
Filter surface	8,16 m² PTFE	8,16 m² PTFE	8,16 m² PTFE
Sound level	65 d(B)A	68 d(B)A	68 d(B)A
Weight	115 kg	123 kg	125 kg

Type	Article No.	Price	RGF
VacCube 16	70016	6190,00 €	
VacCube 22	70022	6980,00 €	
VacCube 30	70030	7480,00 €	

VacCube 55 NF

- For 3-4 workplaces
- For single shift operation

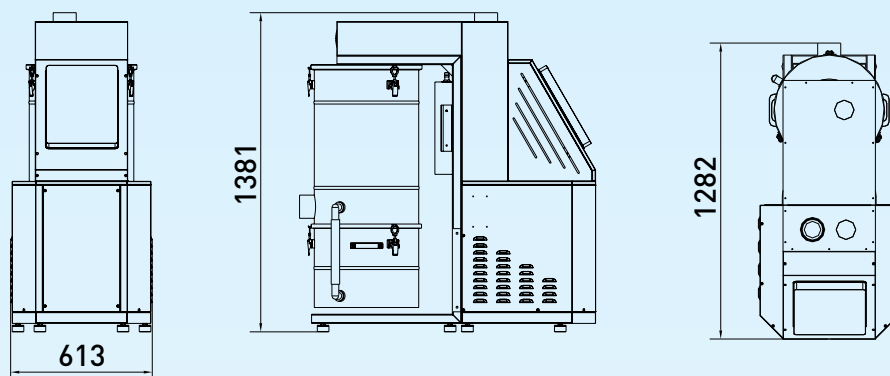
These are suction systems with side channel blowers. They are particularly suitable for torch extraction of fumes at welding workplaces.

They feature a cartridge filter, cleaned by time-controlled pneumatic rotary nozzles. The dust is taken in and conveyed to a nylon bag which is very easy to remove and provides a very simple way of collecting the dust.

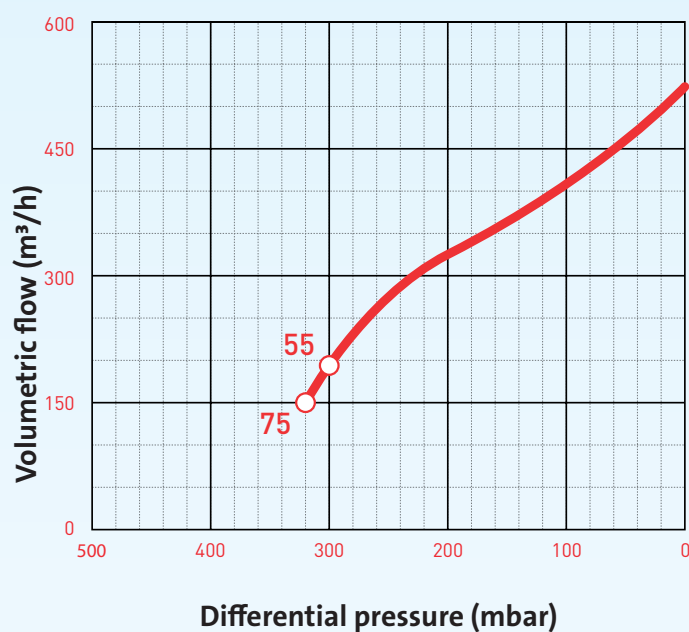
The machine features a device for a real-time check of the cartridge efficiency.



Technical drawings



Performance data



	VacCube 55 NF
Performance	5,5 kW
Current consumption	13,3 A
Connection voltage	400V/50Hz
Max. performance	520 m³/h
Max. pressure	30.000 PA
Filter surface	12,36 m²
Sound level	75 d(B)A
Weight	250 kg

Type	Article No.	Price	RG F
VacCube 55 NF	700550	12785,00 €	

VacCube 55 HF | 75 HF

These are suction systems with side channel blowers. They are particularly suitable for torch extraction of fumes at welding workplaces.

They feature a cartridge filter, cleaned by time-controlled pneumatic rotary nozzles.

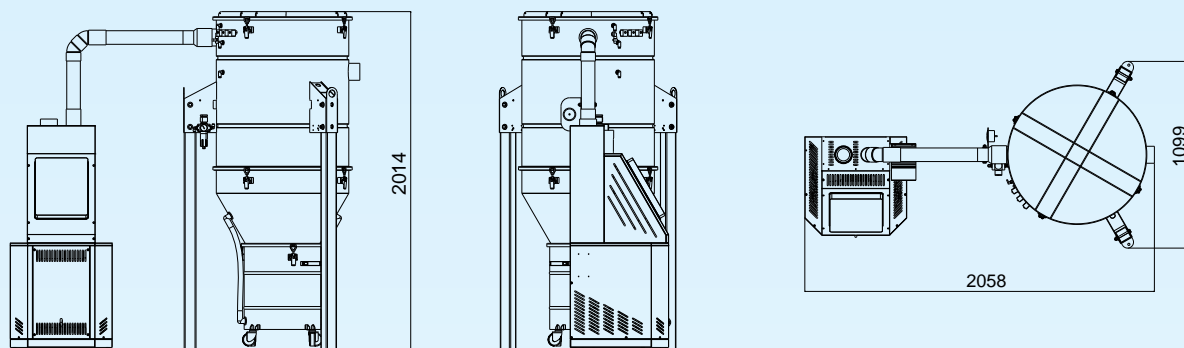
The dust is taken in and conveyed to a nylon bag which is very easy to remove and provides a very simple way of collecting the dust.

The machine features a device for a real-time check of the cartridge efficiency.

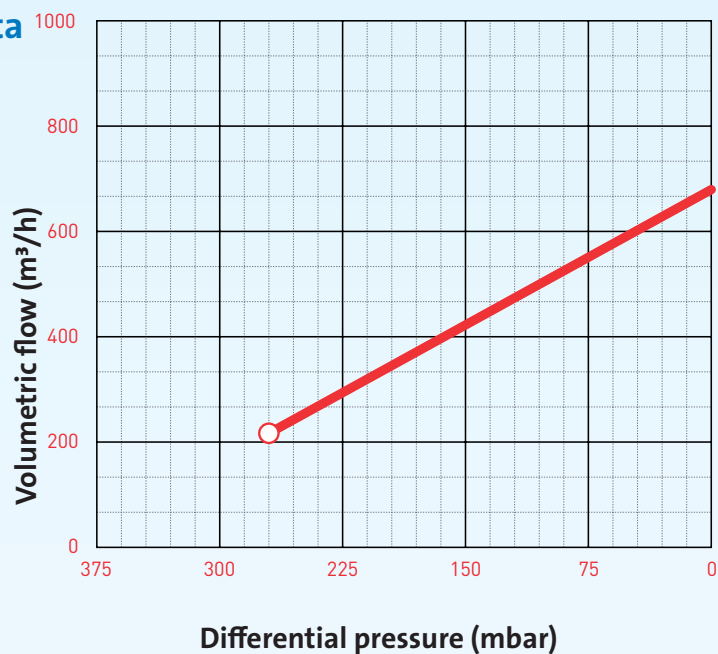
- **VacCube 55 HF: 3-4 workplaces (For multi-shift operation)**
- **VacCube 75 HF: 5-7 workplaces (For single shift operation)**



Technical drawings



Performance data



	VacCube 55 HF	VacCube 75 HF
Performance	5,5 kW	7,5 kW
Current consumption	13,3 A	16,7 A
Connection voltage	400V/50Hz	400V/50Hz
Max. performance	520 m³/h	700 m³/h
Max. pressure	30.000 PA	27.000 PA
Filter surface	2 x 12.5 m²	2 x 12.5 m²
Sound level	75 d(B)A	75 d(B)A
Weight		298 kg

Type	Article No.	Price	RGF
VacCube 55 HF	700551	17895,00 €	
VacCube 75 HF	700751	18470,00 €	

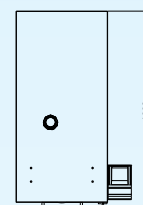
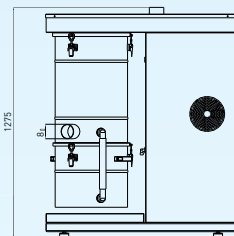
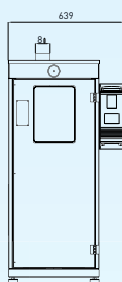
VacCube 30 i

- For up to 3 workplaces

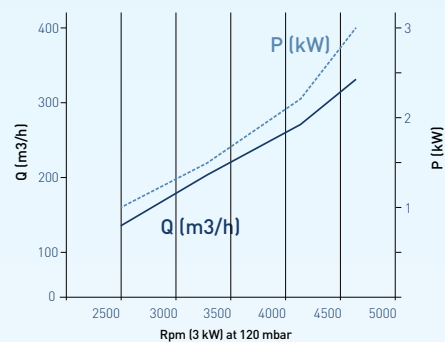
The VacCube 30 i is a highly reliable extraction unit with a side channel blower system, especially designed for the automatic torch extraction of fumes at welding workplaces. The system is low-maintenance and reliable due to an operating process without frictional or wear-out parts.

The VacCube 30 i features filter cartridges to separate welding dust and provides an automatic pneumatic cleaning system. The dust collection procedure is extremely simple: the dust is conveyed into a nylon bag, which can be easily and quickly removed by the operator. The VacCube 30 i is ideal for an installation on industrial production lines and is able to meet the needs of up to 3 operators.

Technical drawings



Performance data



Save energy with
the integrated
FREQUENCY CONVERTER

	VacCube 30 i
Performance	3,0 kW
Current consumption	7,2 A
Connection voltage	400V/50Hz
Max. performance	320 m ³ /h
Max. pressure	27.000 PA
Filter surface	9,96 m ²
Sound level	67 d(B)A
Weight	130 kg

Type	Article No.	Price	RG F
VacCube 30 i	700309	13460,00 €	

VacCube 55 NFi Turbine extraction system

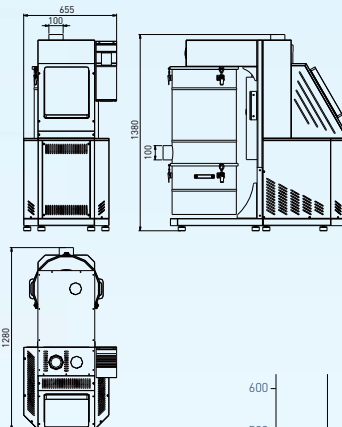
- For 3-4 workplaces
- For single shift operation

The VacCube 55 NFi is a highly reliable extraction unit with a side channel blower system, especially designed for the automatic torch extraction of fumes at welding workplaces. The system is low-maintenance and reliable due to an operating process without frictional or wear-out parts.

The VacCube 55 NFi features filter cartridges to separate welding dust and provides an automatic pneumatic cleaning system. The dust collection procedure is extremely simple: the dust is conveyed into a nylon bag, which can be easily and quickly removed by the operator. The VacCube 55 NFi is ideal for an installation on industrial production lines and is able to meet the needs of up to 4 operators.



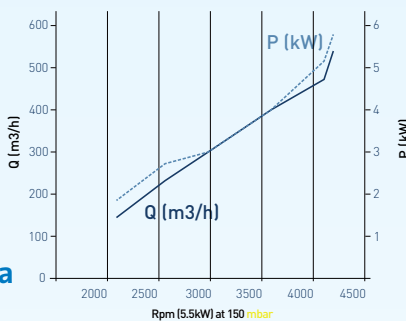
Technical drawings



Save energy with
the integrated
FREQUENCY CONVERTER



Performance data



VacCube 55 NFi	
Performance	5,5 kW
Current consumption	13,3 A
Connection voltage	400V/50Hz
Max. performance	520 m³/h
Max. pressure	32.000 PA
Filter surface	12,36 m²
Sound level	75 d(B)A
Weight	250 kg

Type	Article No.	Price	RGF
VacCube 55 NFi	7005509	17930,00 €	

VacCube 55 HFi | 75 HFi

This is a highly reliable extraction unit with a side channel blower system, especially designed for the automatic torch extraction of fumes at welding workplaces.

The system is low-maintenance and reliable due to an operating process without frictional or wear-out parts. The unit features filter cartridges to separate welding dust and provides an automatic pneumatic cleaning system.

The dust collection procedure is extremely simple: the dust is conveyed into a nylon bag, which can be easily and quickly removed by the operator. The system is ideal for an installation on industrial production lines and is able to meet the needs of up to 7 operators. It also features a larger filter unit to manage considerable quantities of dust.



- VacCube 55 HFi: 3-4 workplaces
- VacCube 75 HFi: 5-7 workplaces
- For multi-shift operation

Save energy with
the integrated
FREQUENCY CONVERTER

Extra large
FILTER SURFACE

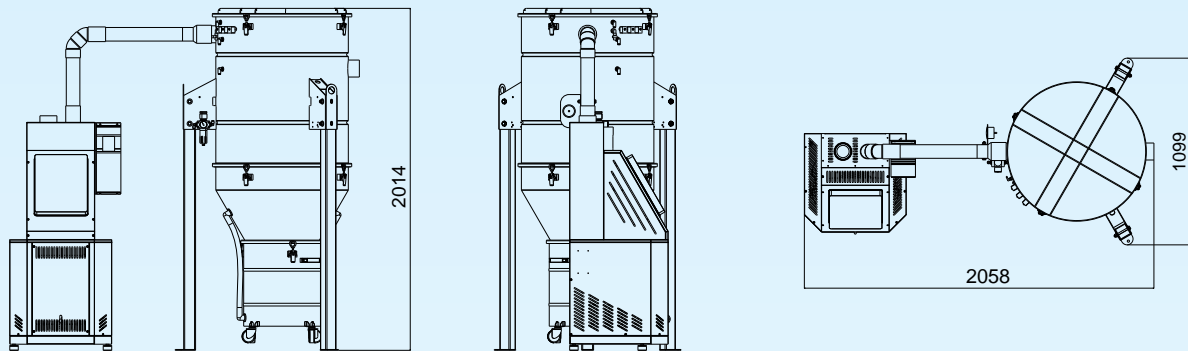
The system consists of 3 sections:

First section: Cleaning housing which contains the pneumatic rotary nozzles for automatic cleaning

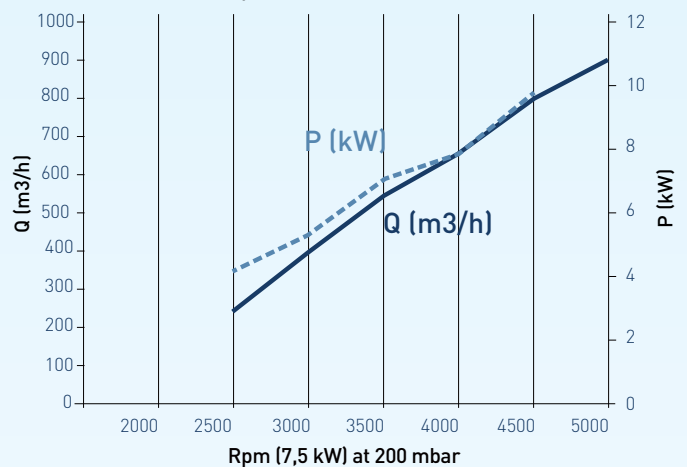
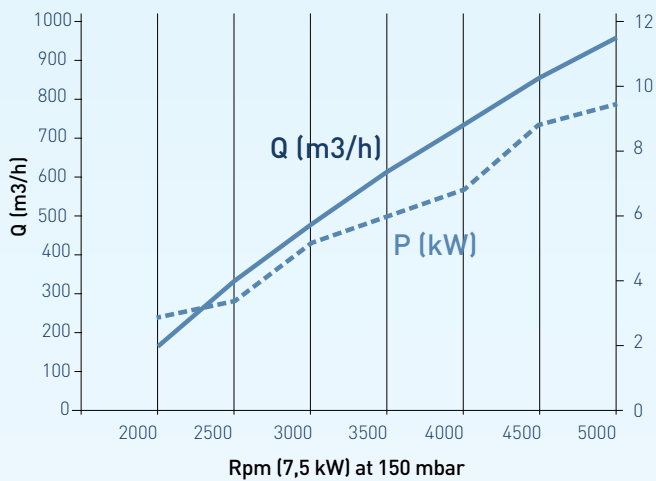
Second section: Filter housing which contains the filter cartridges

Third section: Dust discharge consisting of a cyclone as pre-separator and the dust collection area. The separated dust is collected in a nylon bag which can be directly removed. This system is extremely user-friendly. It is sufficient to replace the full bag with a new one.

Technical drawings



Performance data



	VacCube 55 HFi	VacCube 75 HFi
Performance	5,5 kW	7,5 kW
Current consumption	13,3 A	16,7 A
Connection voltage	400V/50Hz	400V/50Hz
Max. performance	520 m³/h	700 m³/h
Max. pressure	30.000 PA	27.000 PA
Filter surface	2 x 12.5 m²	2 x 12.5 m²
Sound level	75 d(B)A	75 d(B)A
Weight		298 kg

Typ	Article No.	Price	RGF
VacCube 55 HFi	7005519	20740,00 €	
VacCube 75 HFi	7007519	24575,00 €	

VacCube 125 i

The VacCube 125 i is a highly reliable extraction unit with a side channel blower system, especially designed for the automatic torch extraction of fumes at welding workplaces. The system is low-maintenance and reliable due to an operating process without frictional or wear-out parts.

The unit features filter cartridges to separate welding dust and provides an automatic pneumatic cleaning system. The dust collection procedure is extremely simple: the dust is conveyed into a nylon bag, which can be easily and quickly removed by the operator.

The system is ideal for an installation on industrial production lines and is able to meet the needs of up to 7 operators. It also features a larger filter unit to manage considerable quantities of dust.

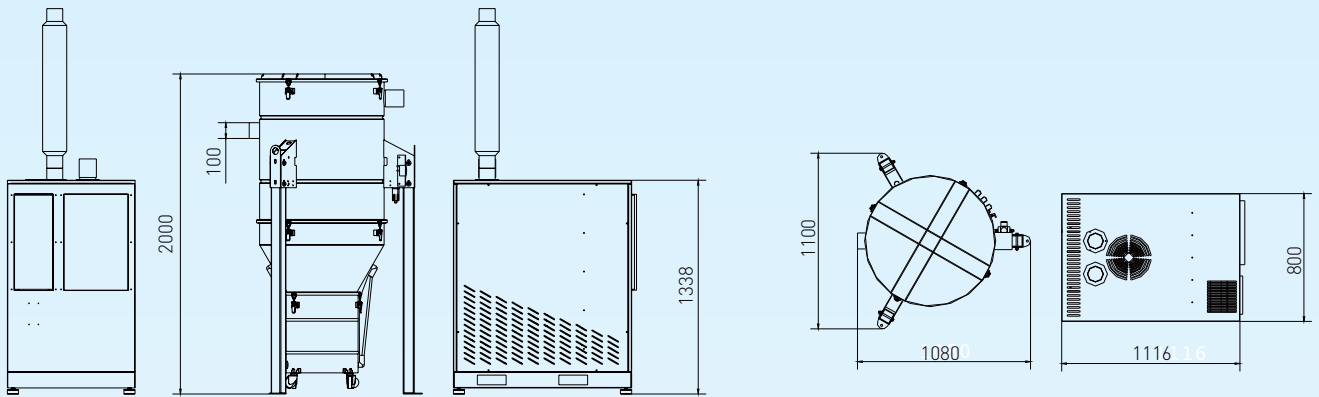
- **5-7 workplaces**
- **For multi-shift operation**

Save energy with
the integrated
FREQUENCY CONVERTER

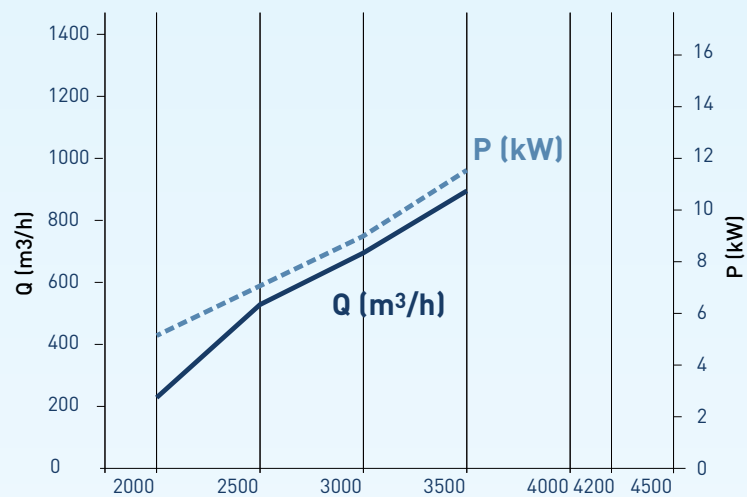
Extra large
FILTER SURFACE



Technical drawings



Performance data



VacCube 125 i	
Performance	12,5 kW
Current consumption	28 A
Connection voltage	400V/50Hz
Max. performance	1.050 m ³ /h
Max. pressure	29.000 PA
Filter surface	2 x 10 m ²
Sound level	78 d(B)A
Weight	516 kg

Typ	Article No.	Price	RGF
VacCube 125 i	7001259	32870,00 €	

VacCube 185 i

The VacCube 185 i is a highly reliable extraction unit with a side channel blower system, especially designed for the automatic torch extraction of fumes at welding workplaces.

The system is low-maintenance and reliable due to an operating process without frictional or wear-out parts. The unit features filter cartridges to separate welding dust and provides an automatic pneumatic cleaning system.

The dust collection procedure is extremely simple: the dust is conveyed into a nylon bag, which can be easily and quickly removed by the operator. The system is ideal for an installation on industrial production lines and is due to a 12,5 and 18,5 kW respectively side channel blower system able to meet the needs of up to 10 operators. It also features a larger filter unit to manage considerable quantities of dust.

- **7-10 workplaces**
- **For multi-shift operation**

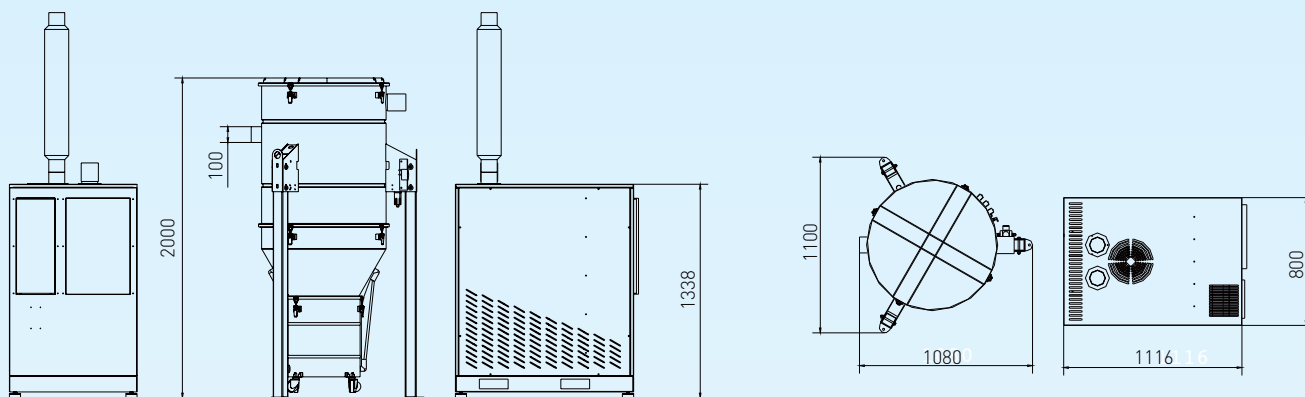
Save energy with
the integrated
FREQUENCY CONVERTER

Extra large
FILTER SURFACE

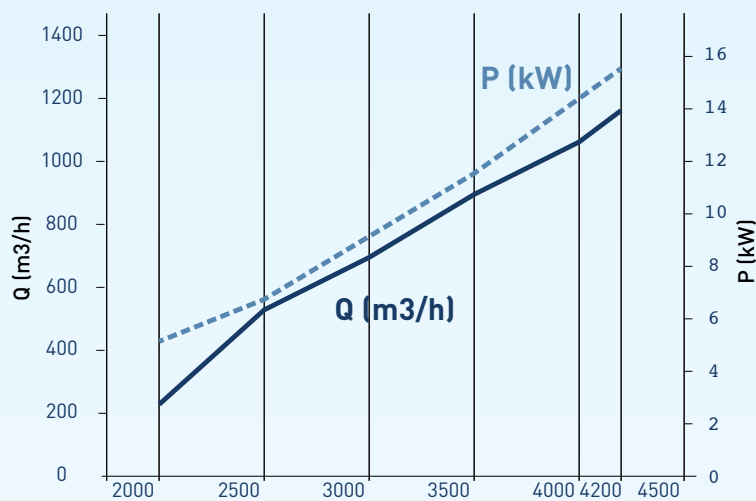


VacCube 185 i with Vac-Cyclone

Technical drawings



Performance data



VacCube 185 i	
Performance	18,5 kW
Current consumption	37 A
Connection voltage	400V/50Hz
Max. performance	1.050 m ³ /h
Max. pressure	36.000 PA
Filter surface	3 x 10 m ²
Sound level	80 d(B)A
Weight	530 kg

Typ	Article No.	Price	RGF
VacCube 185 i	7001859	44450,00 €	

Vac-Cyclone | Vac-Mini-Cyclone

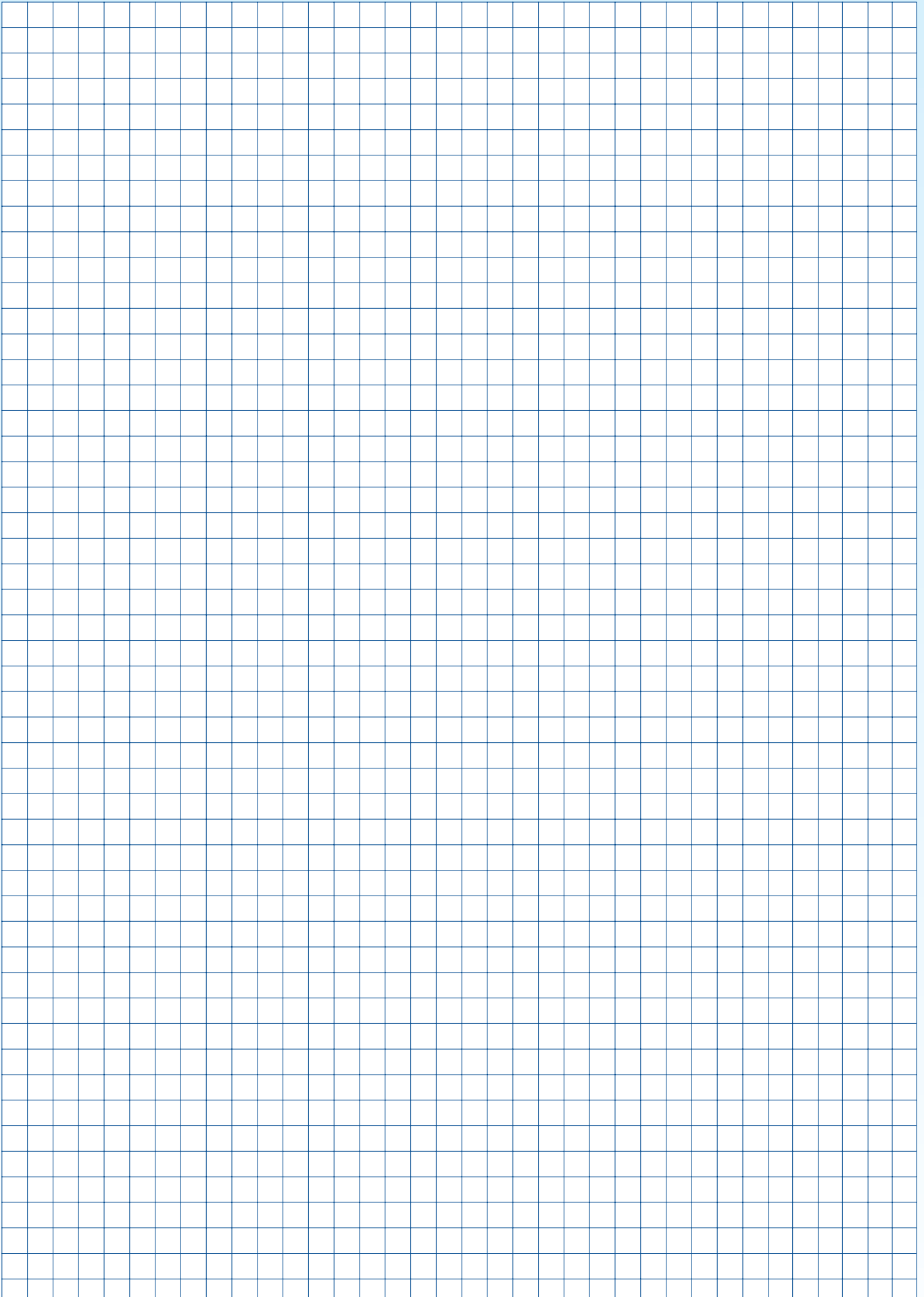
This pre-separator was developed to separate the captured emissions in advance.

A retrofitting of existing system is possible without any problems. The cyclone consists of epoxy powder-coated sheet steel.



	Vac-Cyclone	Vac-Mini-Cyclone
Connecting piece	100 mm	80 mm
Air volume	800 m ³ /h	300 m ³ /h

Typ	Article No.	Price	RG F
Vac-Zyklon	700100	3661,00 €	
Vac-Mini-Zyklon	700200	1690,00 €	





The air purifiers

Your TEKA-Partner:

TEKA

Absaug- und Entsorgungstechnologie GmbH

Millenkamp 9
48653 Coesfeld
Germany

Tel. +49 (0) 25 41 84 84 1-0

Fax +49 (0) 25 41 84 84 1-72

info@teka.eu

www.teka.eu



more information at www.teka.eu